

NEDERMAN HOSE REEL SER. 884



- The reels are delivered with factory adjusted spring-power for the designated hose capacity.
- The drum and swivel are designed with ball bearings to reduce friction and wear.
- The inner mechanism, such as spring and bearings, is well protected by an ABS-plastic cover.
- To minimize friction, the outlet arm is adjustable to provide an optimal pull-out angle for the hose.
- All major construction components made from die-cast aluminium.
- Ratchet function to lock the hose at required length (easily released by a gentle further pull).

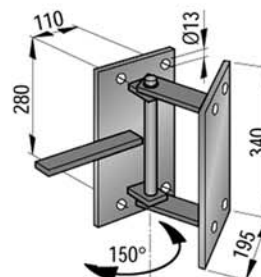
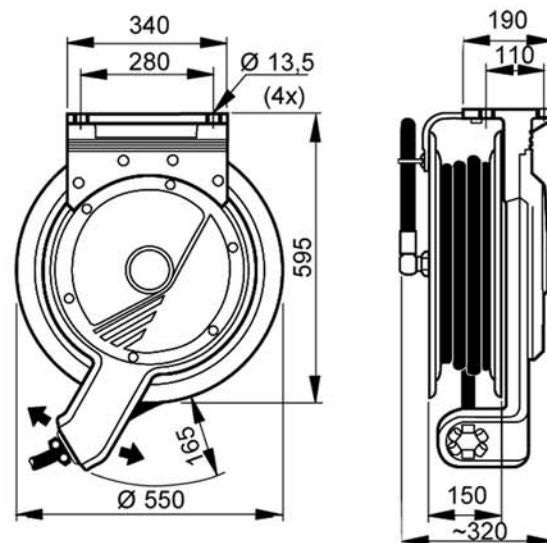
A hose reel takes care of your hose at all times.

Hoses not being used should be stowed away and not allowed to clutter the working area. This simple rule leads to a safer and more efficient working situation which, in turn, reduces costs.

Nederman ser. 884 is suitable for air and a wide range of fluids (lubricants, water) at both high and low pressure. With a hose capacity from 25 m x 3/8" to 10m x 1", there is a model available for all your needs.

Model range

Medium	Max work pressure	Hose dimensions		Reel with hose Part No.	Max. hose capacity Length / Ext. diam.
		Int. diam. mm (in)	Length m (ft)		
Water and Cleaning product	25 bar (360 psi)	12,5 / 1/2"	20m	81810	20m / ø22mm
	25 bar (360 psi)	12,5 / 1/2"	25m	81811	28m / ø22mm



Accessory: Pivoting wall bracket

Hole pattern and dimensions for wall mounting are the same as for the foot plate on the reel

ScanFoam No: 86476

ScanFoam Cleaning Equipment ApS



Niels Bohrs Vej 29b
DK-8660 Skanderborg
Tel. +45 86 57 25 99
Fax. +45 86 57 20 86
CVR: 2 5 6 5 0 0 8 5
VAT: DK 11 90 22 51

Material recycling: 93 % of the weight.