

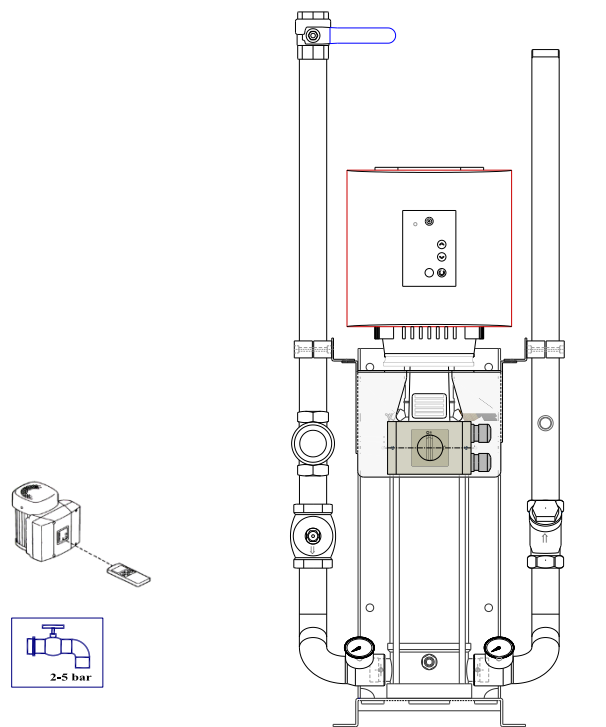
# Foam Cleaning Equipment PumpSet Freq. 25-125 IE5

Medium Pressure. Press-supply. Vertical

Item no.: 89334



# ScanFoam®



*PumpSet Freq. 25-125 IE5. Vertical in/out*

## Purpose and use

The Frequency controlled PumpSet Freq. 25-125 IE5, with vertical In-and Outlet, is compact and designed for easy use and service. It is normally floor or wall mounted and is for sites that require cleaning by medium pressure.

It is built for Pressurized water supply.

Basically it is very simple to use. When there is a demand for water, it automatically starts activated by a flow switch. When there is no more need for water, it automatically stops.

It is build for supplying pressure boosted water to Injectors, Aut.Satellites and other cleaning equipment.

## Features / benefits

Functions:	Frequency controlled automatic booster pump for medium pressure cleaning etc. in harsh environment
Operator friendly:	Easy understanding of the functions LED indicators for status and Alarm
Automatically control:	Starts automatically on demand for water. It stops slowly (~30 sec) when there is no need for water.
Options:	Grundfos GO, Pressure guard Inlet

**PS Freq. IE5  
25-125 V.**



## General Description

The Frequency controlled PumpSet Freq. 25-125 IE5 is built to boost the water pressure for foam cleaning equipment such as Injectors, Aut.Satellites etc. The system is made mostly of stainless steel so it is robust in harsh environments.

As standard a non-return valve is mounted in the water outlet to secure the pump and the water supply system against pressure shocks. A filter is mounted in the water Inlet.

The control system automatically starts the pump when there is a demand for water. The frequency control system makes the pump go from OFF to full load in 3 second (Programmable). When there is no need for water it automatically stops slowly.

Optionally: If the pressure for a particular cleaning job is too high it is very easy just to regulate the pressure down for a moment and then back to maximum. If enabled the unit is programmable by two buttons on the motor-

For setting up the pump, use Grundfos GO App on a Smartphone or the PC-Tools on a Laptop

## Ordering Information

All orders will be acknowledged by fax, unless other special arrangements have been made. Shipping: All correspondence concerning shipping, should be directed: [Mr. Anders Christensen](mailto:Mr.Anders.Christensen)

## Placing Orders and Enquiries

All correspondence concerning new orders or progressing existing orders, should be directed to:

[order@scanfoam.com](mailto:order@scanfoam.com)

## Technical enquiries

Enquiries relating to product performance should be directed to:

[Mr. Aksel A. Utoft](mailto:Mr.Aksel.A.Utoft) or [Mr. Anders S. Christensen](mailto:Mr.Anders.S.Christensen)

**ScanFoam®** Cleaning Equipment ApS.  
Niels Bohrs Vej 29b, Stilling  
8660 Skanderborg  
Denmark

Telephone: +45 86 57 25 99  
Fax: +45 86 57 20 86  
E-mail: [ac@scanfoam.com](mailto:ac@scanfoam.com)  
[order@scanfoam.com](mailto:order@scanfoam.com)

## Specifications

Working area:	Pressure range min/max:	14 -> 24 bar
	Flow max at 16,5 bar boost	125 l/min
	No. of users flushing at the same time	1 - 4
Water inlet:	Connection:	1½" BSP (Female)
Limitation:	Min. feed pressure	2 bar
	Max. feed pressure	5 bar
	Max. temperature	70 °C
Example:	5 bar inlet pressure and 19 bar boost give a total of 24 bar	
Power supply	3x400 VAC 50Hz	
	Power consumption max.	5,5 kW
	Backup fuse size max.	25 Amp
	<i>Re. dimensioning, always use the local design rules.</i>	
	Energy efficiency:	IE5
Weight:	~95 kg	
Alarm:	Motor over heated; One phase dropout and too high pump temperature.	
Information:	Red and green LED	Alarm, Stand by and Running
<b>Options:</b>		
89708	Cover for PumpSet (25-125 / 25-210 / 25-270)	
82701	Pressure guard Inlet	
PLC control	The PumpSet has several options for remote control. E.g. variable pressure setting etc.	
M201 / M1301	Grundfos GO Hand held remote programming unit iOS or Android.	

